


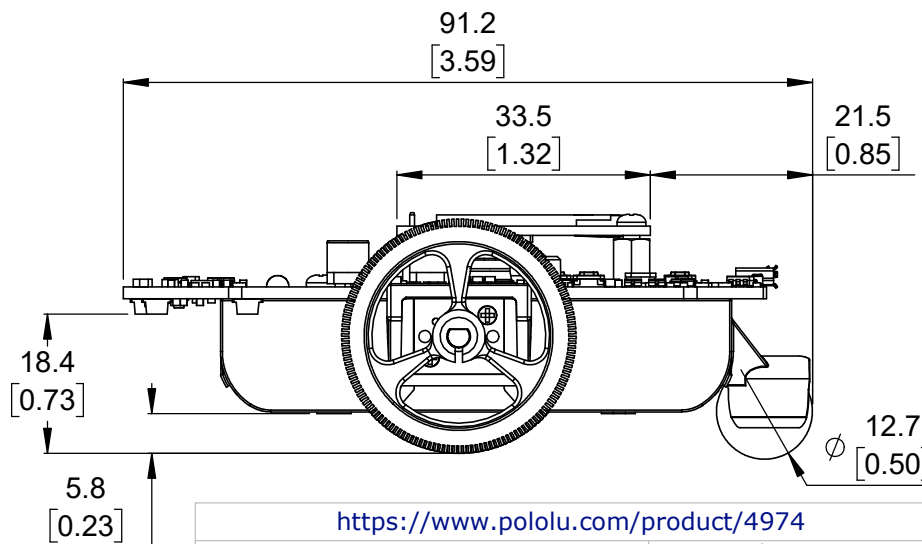
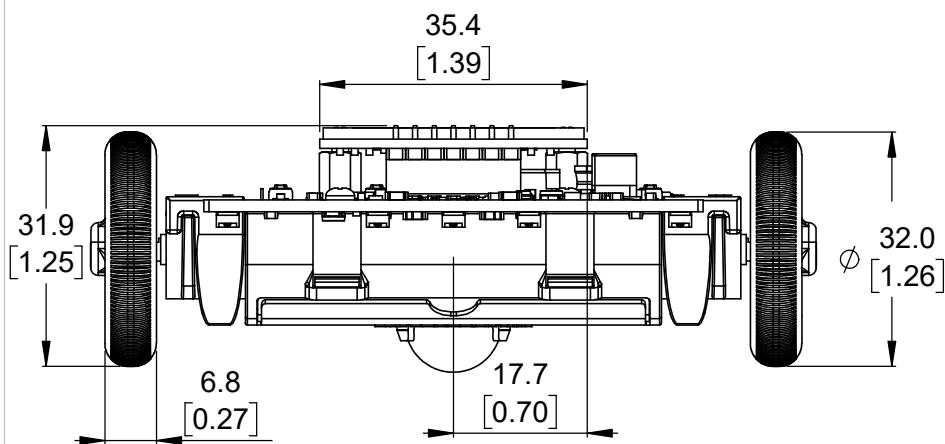
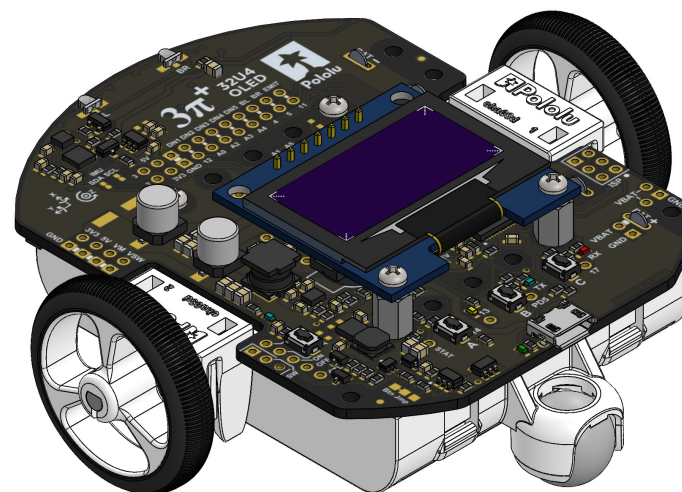
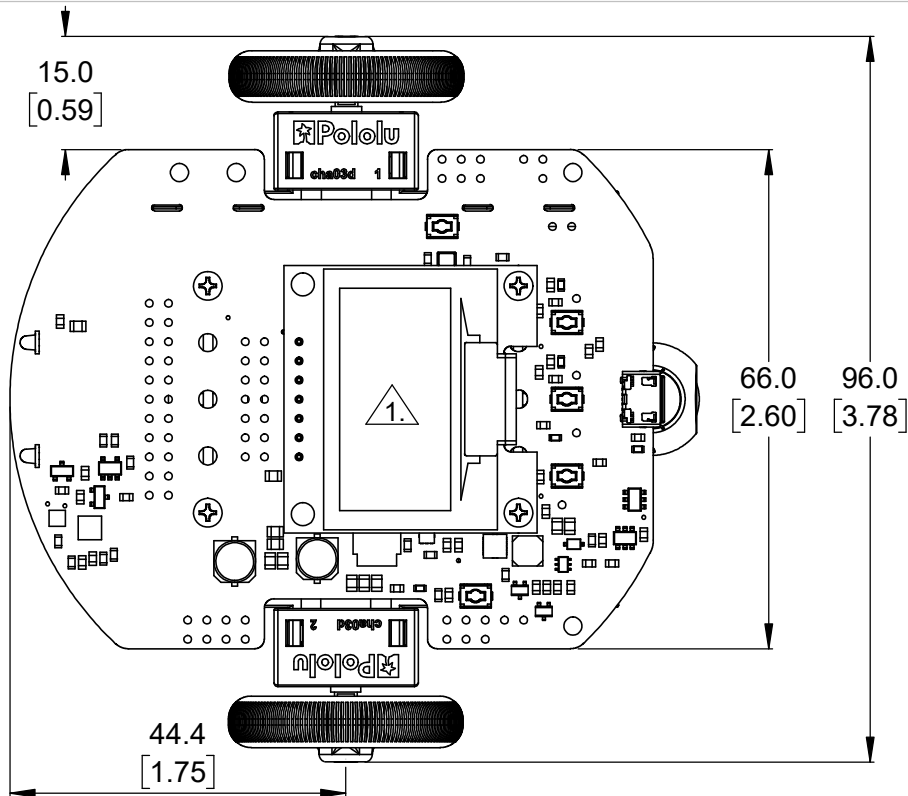
1.
2.

OLED active area (1.3" diagonal).
To get the specified scale, select 100% in print settings.

Scale 1:1

<https://www.pololu.com/product/4974>


Name: 3pi+ 32U4 OLED Robot assembled with bumper skirt		Item number: 4974-4979
Drawing date: 19 January 2023	Dev code: —	 © 2023 Pololu Corporation
Units: mm [in]	Material: mixed	



1. OLED active area (1.3" diagonal).
2. To get the specified scale, select 100% in print settings.

Scale 1:1

<https://www.pololu.com/product/4974>

Name: 3pi+ 32U4 OLED Robot assembled with motor clips		Item number: 4974-4979
Drawing date: 19 January 2023	Dev code: —	 Pololu Robotics & Electronics © 2023 Pololu Corporation
Units: mm [in]	Material: mixed	